



Model no. of filter in photograph is: BDC39QPMLZ1VAVM

Features and Benefits

- New fuel / water separation media technology in a three-phase element construction for high efficiency, single-pass removal of free-water in Ultra-low Sulfur Diesel (ULSD) and Biodiesel fuels
- Prior generation coalescing products no longer provide high-efficiency separation in ULSD and Biofuels
- Bag element pre-filter down to 5 micron, for gross removal of microbial bloom contamination and rust
- Pump motor is 115VAC with resettable overload and 7' power cord
- Helps protect expensive, vital engine components against failures caused by water contaminated fuel
- Great for kidney loop clean-up of contaminated reservoirs and single pass transfer
- Manual water drains and up and downstream test points

25 gpm
95 L/min



INDUSTRIAL



POWER GENERATION



BULK OIL FILTRATION



MINING TECHNOLOGY

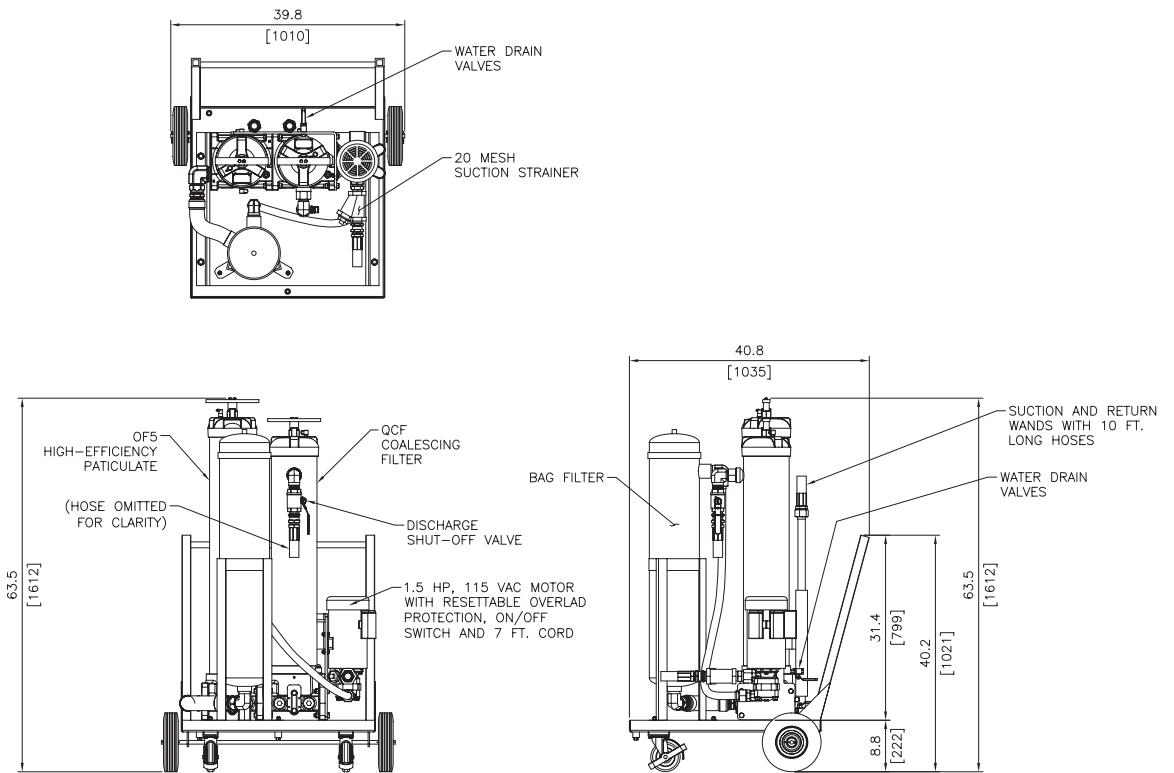


AGRICULTURE

Applications

Flow Rating:	Up to 25 gpm (95 L/min) for ULSD15 & biodiesel blends
Fluid Temperature Range:	-20°F to 165°F (-29°C to 74°C) Standard 32°F to 165°F (0°C to 74°C) with included, optional sight gauge
Ambient Environment Temperature Range:	-20°F to 104°F (-29°C to 40°C) 32°F to 165°F (0°C to 74°C) with included, optional sight gauge
Bypass Setting:	Particulate: 20 psi (1.37 bar) Coalescing: 30 psi (2 bar)
Porting Base:	Anodized Aluminum
Element Case:	Plated Steel
Cap:	Plated Steel
Weight:	785 lbs. (356 kg)
Element Change Clearance:	33.8" (858 mm)

Filter Housing Specifications



Element Particulate Performance Information

Element	Filtration Ratio Per ISO 4572/NFPA T3.10.8.8 Using automated particle counter (APC) calibrated per ISO 4402			Filtration Ratio wrt ISO 16889 Using APC calibrated per ISO 11171	
	$\beta_x \geq 75$	$\beta_x \geq 100$	$\beta_x \geq 200$	$\beta_x (c) \geq 200$	$\beta_x (c) \geq 1000$
39QPMLZ3	<1.0	<1.0	<2.0	<4.0	4.8

Element Water Coalescing Performance Information

Element	Pressure Side Coalescing		Suction Side Coalescing	
	Max Flow	Single Pass Efficiency	Max Flow	Single Pass Efficiency
C396	35 GPM	> 99.5%	CF	> 99.5%

Coalescing Element

Flow Direction: Inside Out
 Element Nominal Dimensions: 6.4" (163 mm) O.D. x 39.4" (1001 mm) long

Particulate Element

Flow Direction: Outside In
 Element Nominal Dimensions: 6" (150 mm) O.D. x 37.80" (960 mm) long

Note:
 Based on ULSD15 with
 27 Byres/CM surface
 tension and 0.25%
 (2500 PPM) water injection

Fuel Oils

- ULSD15 and similar petroleum diesels
- Biodiesel and blends
- Synthetic diesel and blends

**Fluid
Compatibility**

Part Number	Description	Micron Rating	Elements Per Case
C396Z5V	Coalescing Element	5 µm	1
39QPMLZ1V	Particulate Element	1 µm	1
39QPMLZ3V	Particulate Element	3 µm	1
PEF5P2PW	Bag Element	5 µm	50
PEF25P2PW	Bag Element	25 µm	50
PEF50P2PW	Bag Element	50 µm	50
PEF100P2PW	Bag Element	100 µm	50

**Replacement
Elements**

Filter Model Number Selection

How to Build a Valid Model Number for a Schroeder BDC:

BOX 1	BOX 2	BOX 3	BOX 4	BOX 5
BDC				

Example: Note: One option per box

BOX 1	BOX 2	BOX 3	BOX 4	BOX 5	
BDC	39QPMLZ3	V	A	VM	= BDC39QPMLZ3VAVM

BOX 1	BOX 2	BOX 3	BOX 4
Filter Series	Particulate Filter Micron Rating	Housing Seal Material	Bag Element Micron Rating
BDC	39QPMLZ1 = 1µm 39QPMLZ3 = 3µm	V = Viton®	A = 5 µm B = 25 µm C = 50 µm D = 100 µm
BOX 5			
Dirt Alarm® Options			
VM = Visual Pop-Up w/ Manual Reset			

*Note: Included, optional sight gauge (for use only > 32°F)

Notes

NOTES:

Box 4. Viton® is a registered trademark of DuPont Dow Elastomers.